



US00D887202S

(12) **United States Design Patent** (10) **Patent No.:** **US D887,202 S**
Wadsworth (45) **Date of Patent:** **** Jun. 16, 2020**

(54) **CONTAINER TOP**
(71) Applicant: **Hydrojug, LLC**, Ogden, UT (US)
(72) Inventor: **Hayden Wadsworth**, Ogden, UT (US)
(73) Assignee: **Hydrojug, LLC**, Ogden, UT (US)
(**) Term: **15 Years**
(21) Appl. No.: **29/679,107**

D820,038 S * 6/2018 Sorensen D7/392.1
D826,631 S * 8/2018 Baron D7/392.1
D833,224 S * 11/2018 Wahlkvist D7/510
D846,392 S * 4/2019 Markey D9/447
D854,880 S * 7/2019 Meyers D7/392.1
D866,250 S * 11/2019 Barber D7/392.1
D878,147 S * 3/2020 Berresheim D7/392.1
D878,853 S * 3/2020 Omdahl, II D7/392.1
D878,855 S * 3/2020 Nucci D7/392.1
2011/0253733 A1 * 10/2011 Meyers B65D 47/089
220/833

(Continued)

(22) Filed: **Feb. 1, 2019**
(51) **LOC (12) Cl.** **07-01**
(52) **U.S. Cl.**
USPC **D7/392.1**; D7/396.2; D9/449; D9/453
(58) **Field of Classification Search**
USPC D3/201, 202; D7/300, 300.1, 317, 321,
D7/391, 392, 392.1, 396.2, 601, 602,
D7/619.1, 629; D9/434-436, 439, 440,
D9/443, 445-447, 449, 452-454, 499
CPC B65D 47/0895; B65D 51/242
See application file for complete search history.

OTHER PUBLICATIONS

Amazon. HydroJug Half-Gallon Water Bottle. Apr. 15, 2020. <https://www.amazon.in/HydroJug-Half-Gallon-Water-Bottle/dp/B082RJNZRK> (Year: 2020).*

Primary Examiner — Darcey E Gottschalk
(74) *Attorney, Agent, or Firm* — Preston P. Frischknecht;
Project CIP

(56) **References Cited**
U.S. PATENT DOCUMENTS

(57) **CLAIM**

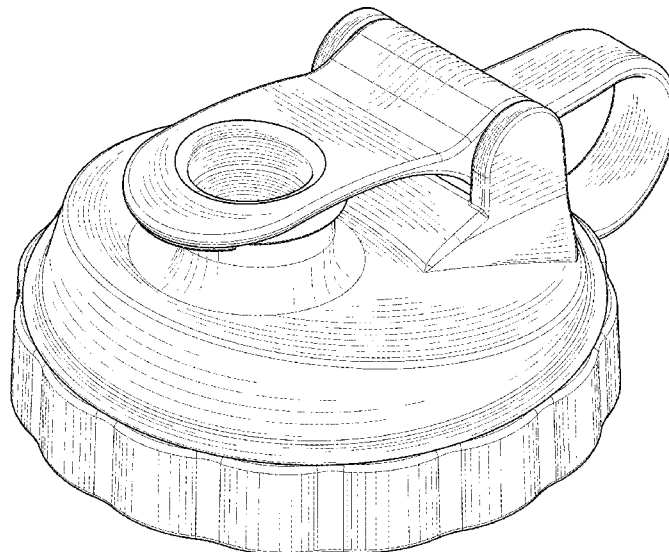
The ornamental design for a container top, as shown and described.

- D508,185 S * 8/2005 Gauss D7/392.1
- D626,837 S * 11/2010 Meyers D9/443
- D644,065 S * 8/2011 Llerena D7/300.1
- D656,357 S * 3/2012 Enghard D7/300.1
- D682,016 S * 5/2013 Knight D7/392.1
- D696,551 S * 12/2013 Meyers D7/392.1
- D742,230 S * 11/2015 Charles D7/396.2
- D745,827 S * 12/2015 Sorensen D7/392.1
- D748,430 S * 2/2016 Sorensen D7/392.1
- D748,478 S * 2/2016 Sorensen D9/443
- D752,382 S * 3/2016 Ksiazek D7/392.1
- D752,390 S * 3/2016 Ksiazek D7/300.1
- D758,127 S * 6/2016 Zhao D7/392.1
- D766,029 S * 9/2016 Lin D7/300.1
- D779,872 S * 2/2017 Bergstrom D7/392.1
- D799,270 S * 10/2017 Polk, III D7/510
- D810,500 S * 2/2018 Maple D7/392.1

DESCRIPTION

FIG. 1 is a top perspective view;
FIG. 2 is a front view;
FIG. 3 is a back view;
FIG. 4 is a right side view;
FIG. 5 is a left side view;
FIG. 6 is a top view;
FIG. 7 is a bottom view; and,
FIG. 8 is an alternate top perspective view.
The dashed lines depict portions of the container top that form no part of the claimed design.

1 Claim, 8 Drawing Sheets



(56)

References Cited

U.S. PATENT DOCUMENTS

2015/0108079 A1* 4/2015 Cetera B65D 41/0485
215/329
2017/0158384 A1* 6/2017 Enghard B65D 47/0895

* cited by examiner

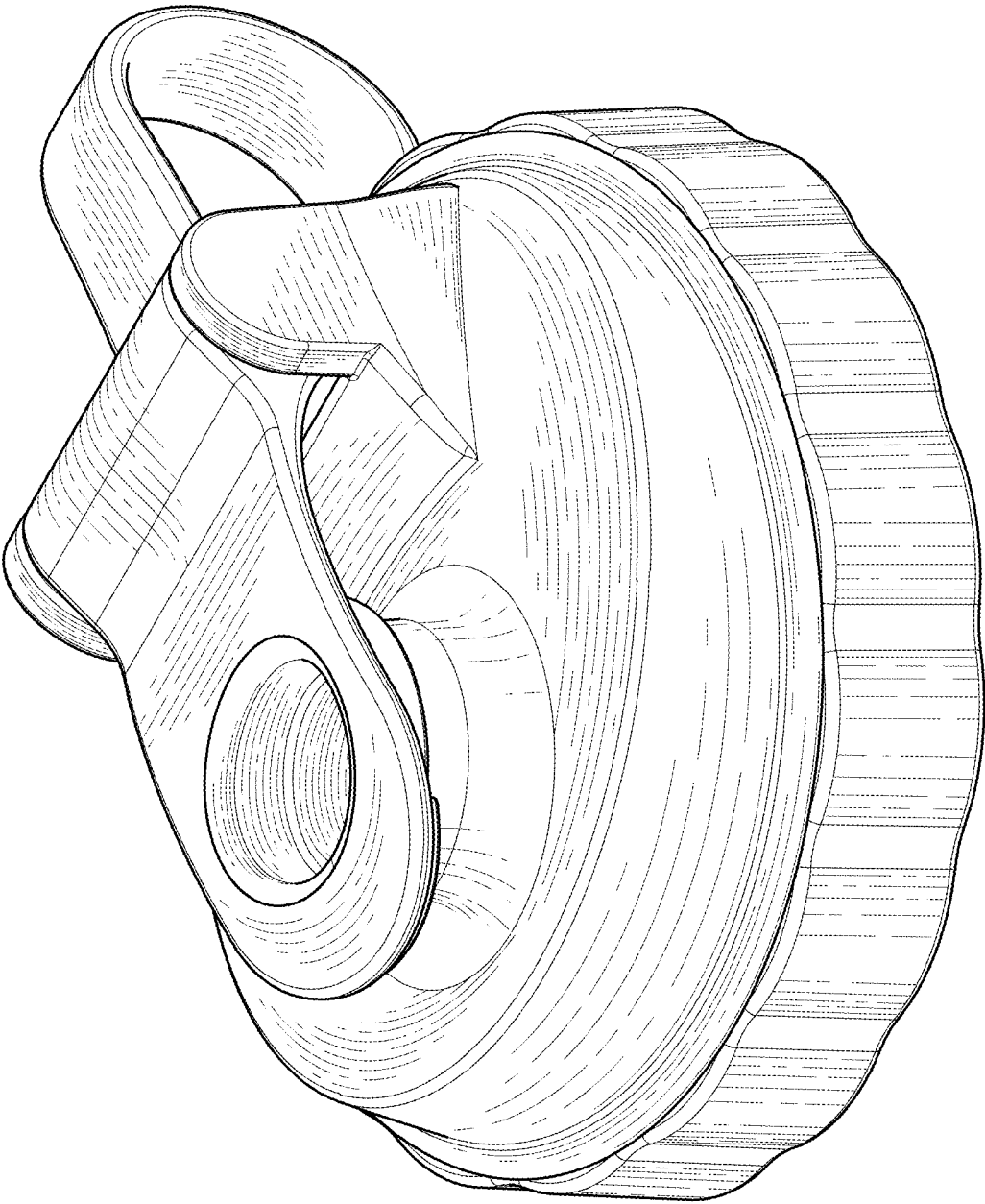


FIG. 1

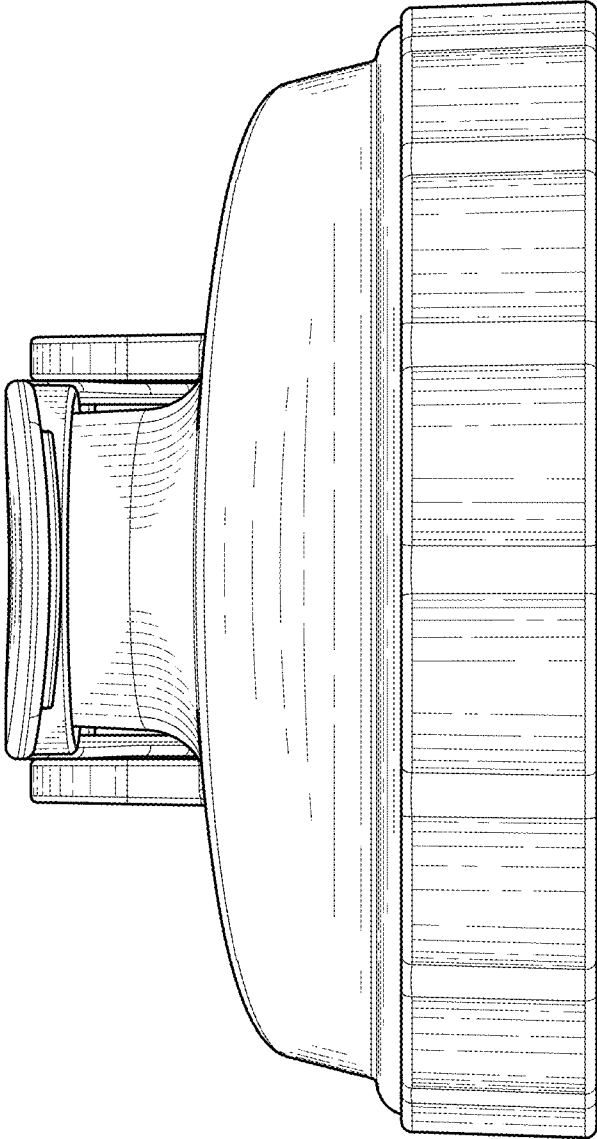


FIG. 2

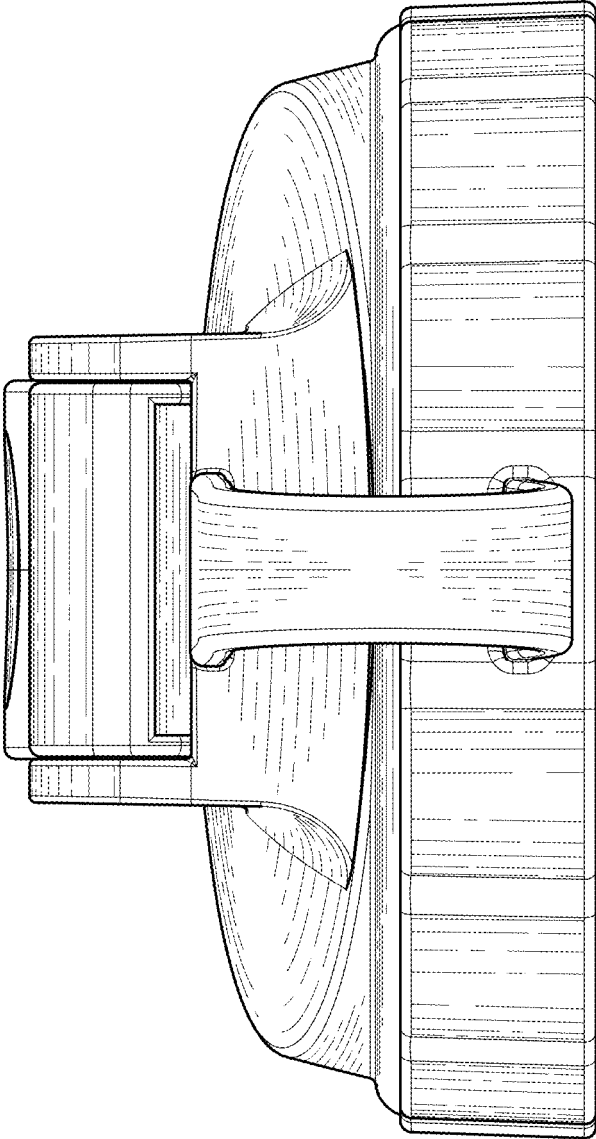


FIG. 3

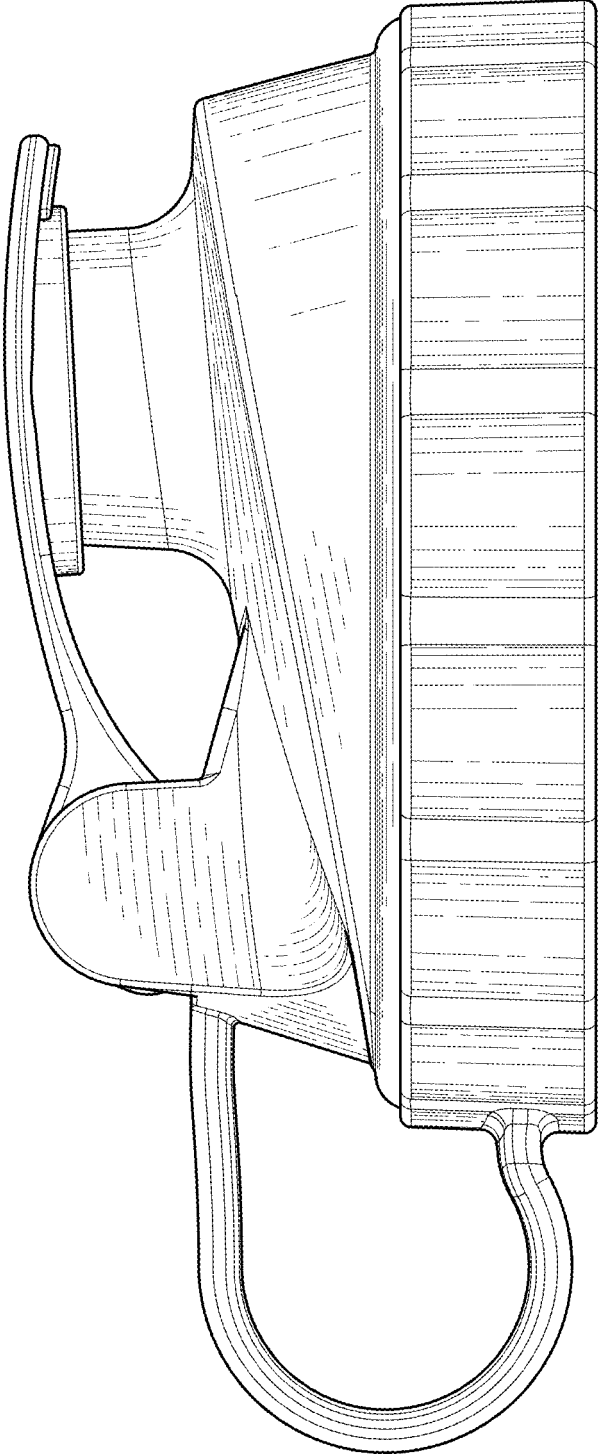


FIG. 4

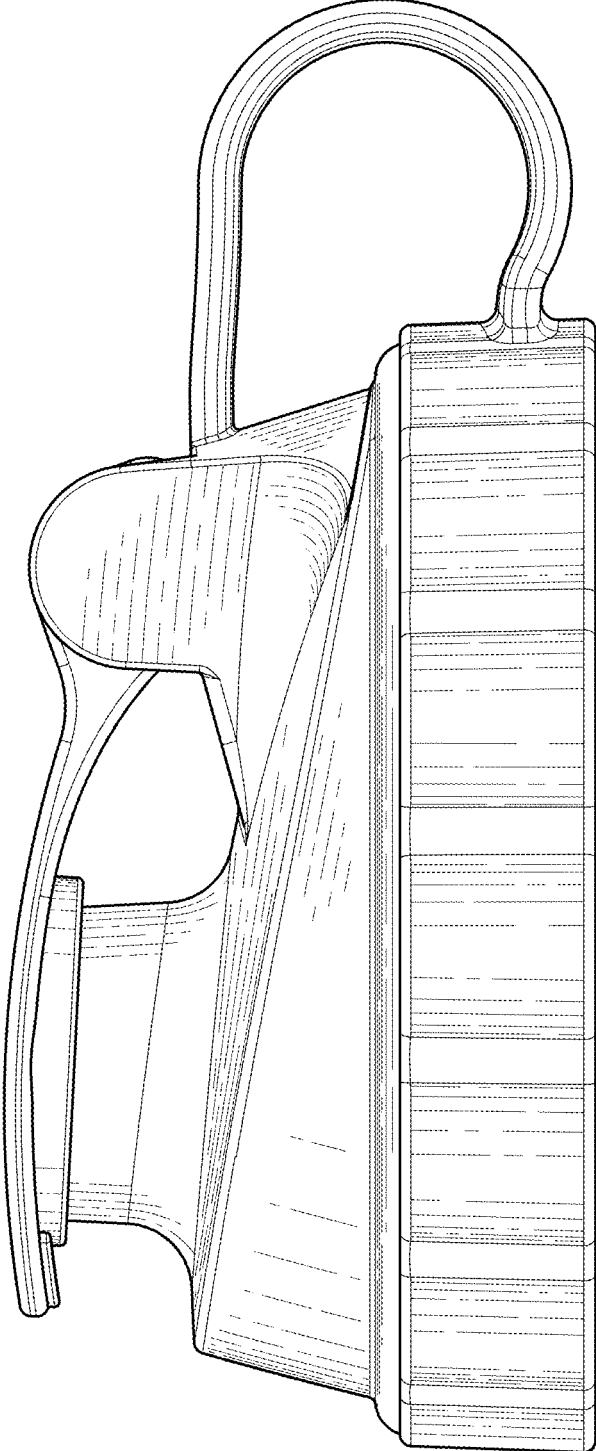


FIG. 5

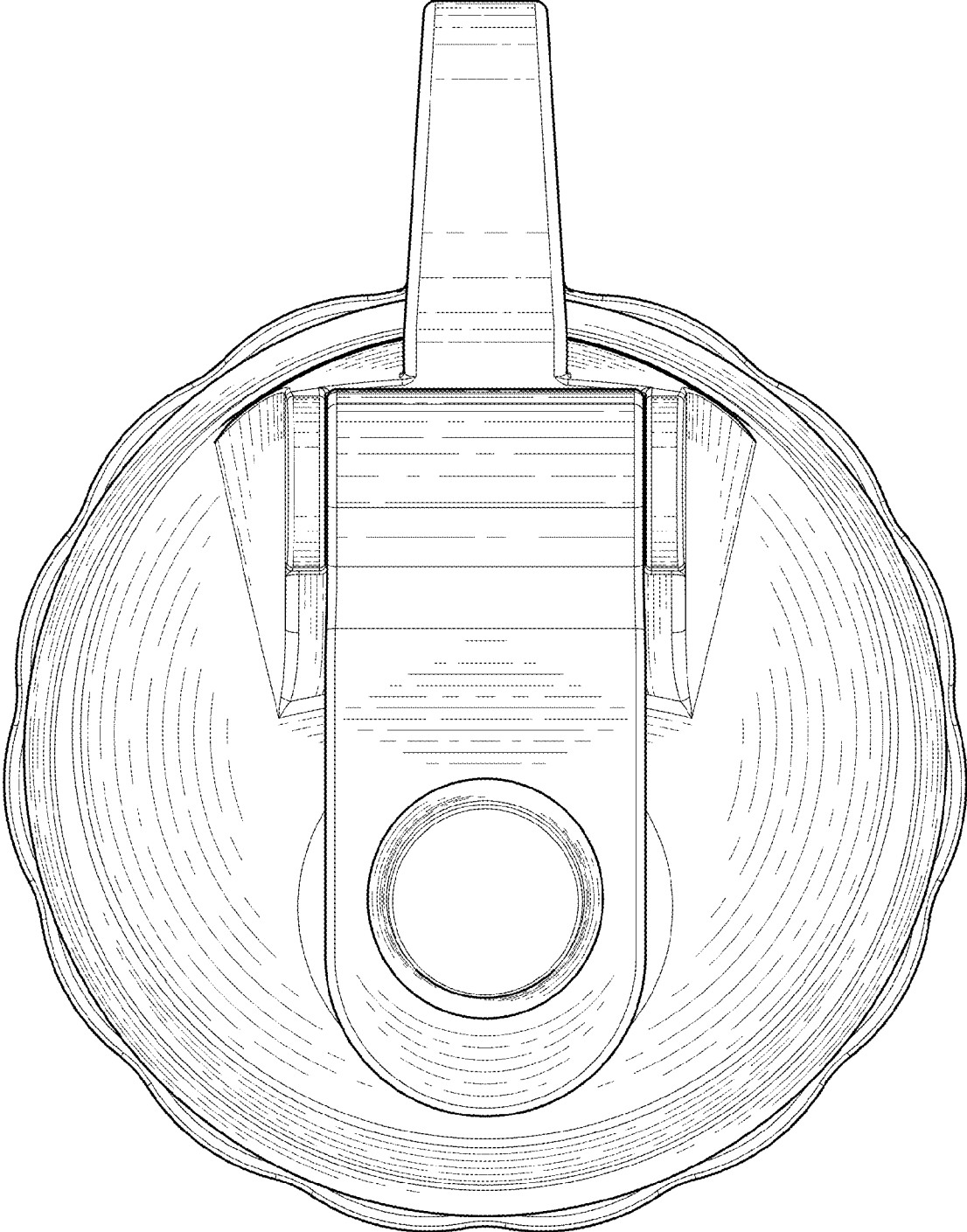


FIG. 6

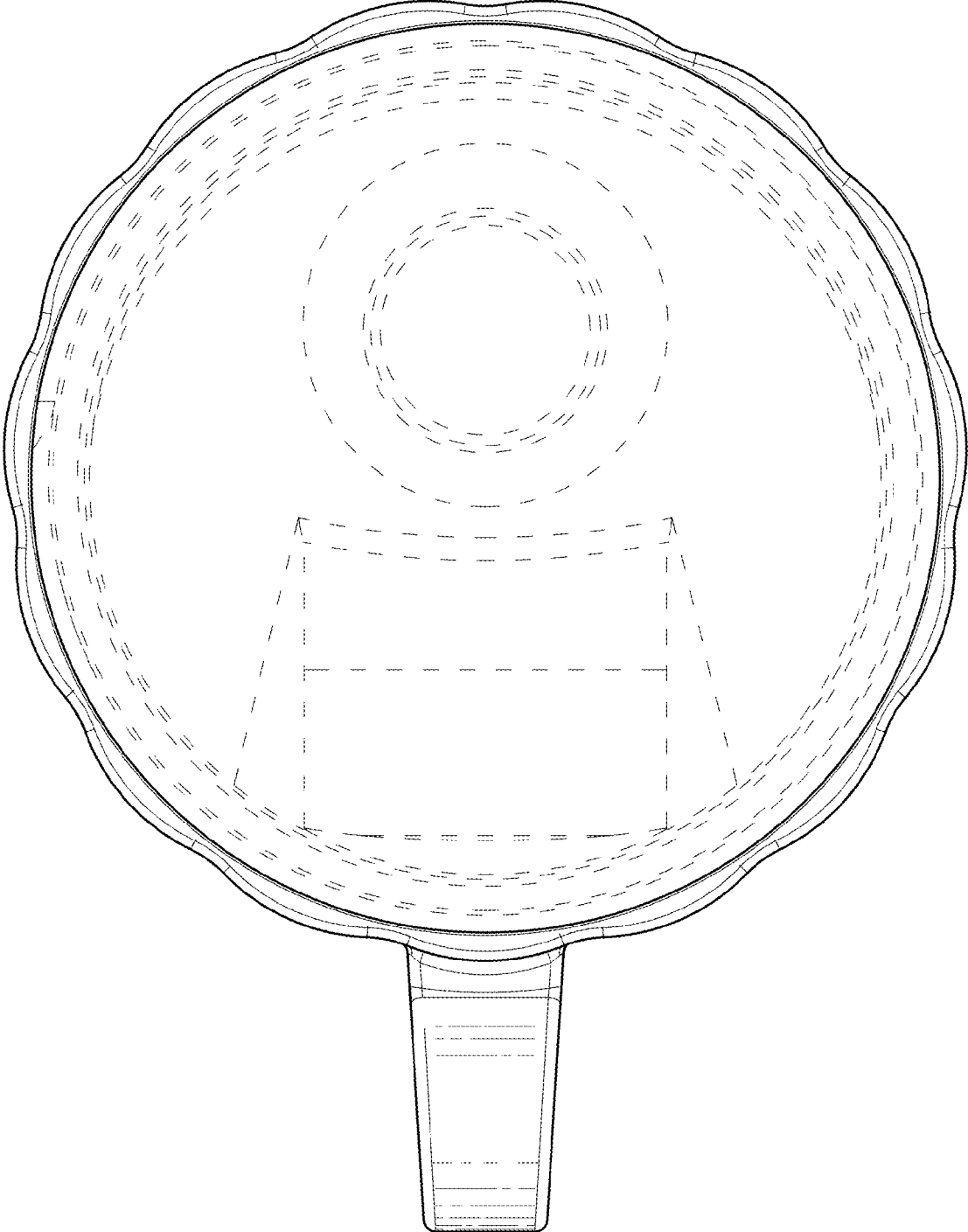


FIG. 7

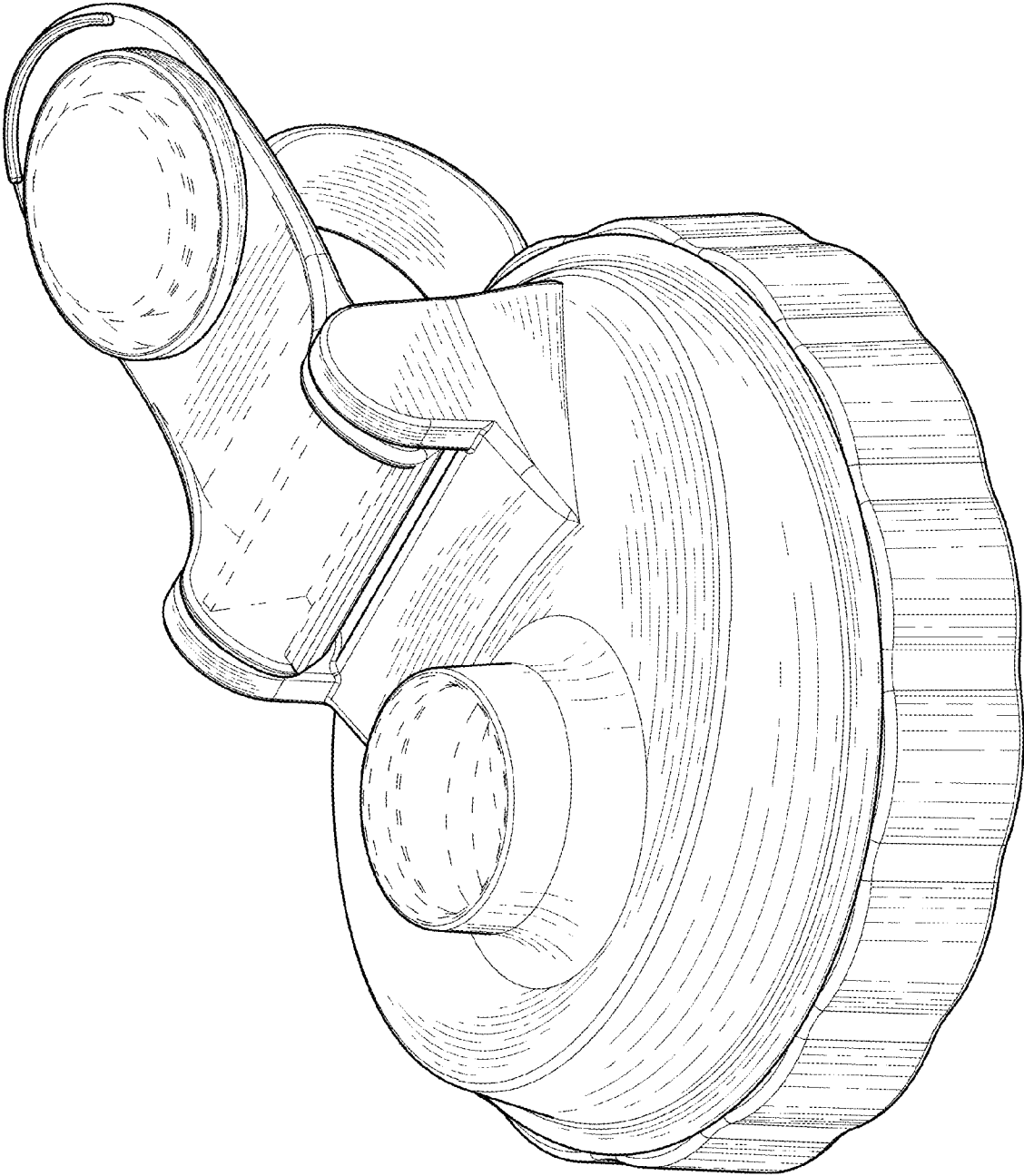


FIG. 8